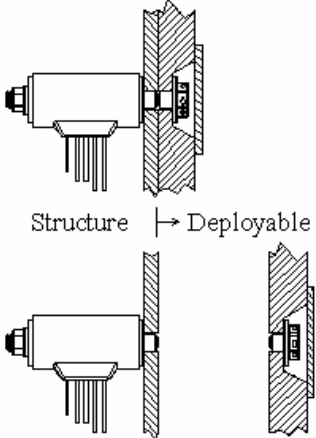
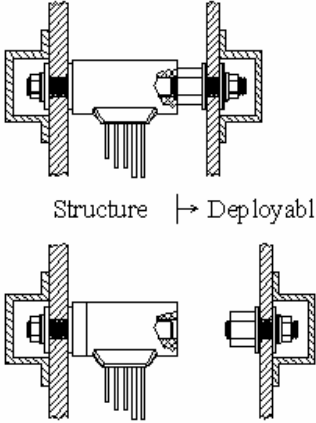
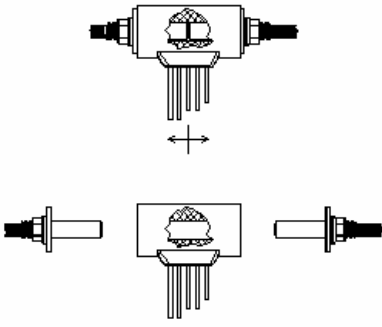
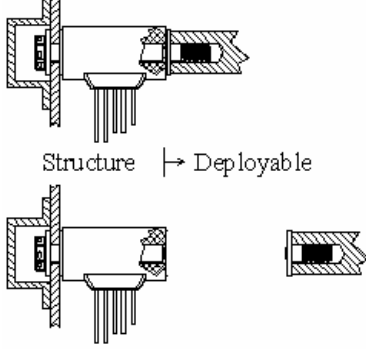
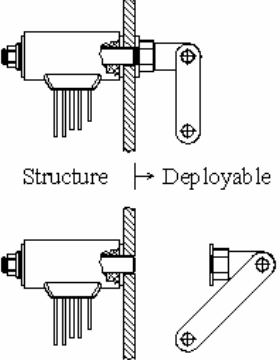
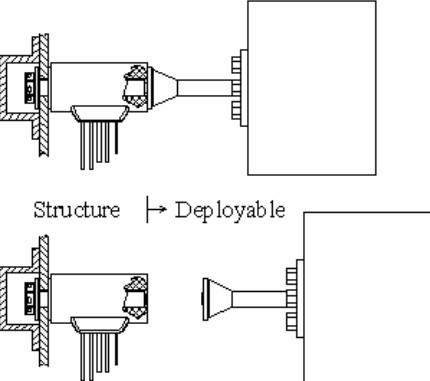


Frangibolt® Application Examples (Conceptual Illustration)

The Frangibolt Release Mechanism is a unique product which offers enormous application versatility. Below are just a few of the joint designs which have been used successfully.

<p>1) Basic Bolt Mount</p>  <p>Structure → Deployable</p>	<p>2) Lug Mount</p>  <p>Structure → Deployable</p>
<p>6) Tension Tie</p> 	<p>4) Coupler Release</p>  <p>Structure → Deployable</p>
<p>6) Clevis Mount</p>  <p>Structure → Deployable</p>	<p>6) Flange Mount</p>  <p>Structure → Deployable</p>